



Manufacturer of the CROSSFIRE™ Brass Burner

FC54

PRODUCT DESCRIPTION:

The FC54, the 54" Round Fire Pit Kit, is the perfect fire pit kit to help build that dream fire pit. Made with an aluminum frame and finished with a concrete board surrounding. The FC54 comes with a standard 30" aluminum pan and 120K burner. Operates on either Natural Gas (NG) or Liquid Propane (LP). Can be customized to fit your needs. Please discuss these options with your sales representative.

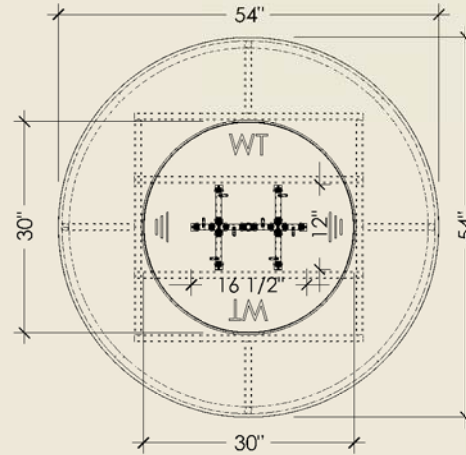
FC54:

MAX OUTPUT: 120,000 BTU WEIGHT: ##lbs. DIMENSION: 54"L x 54"W x 19 3/4"H

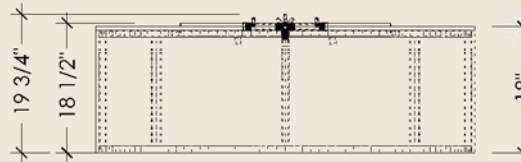
1695 WEST SHERI LANE
LITTLETON, COLORADO 80120
(T) 303.346.2224
(F) 303.346.2225
info@warming-trends.com
www.warming-trends.com

Notes:

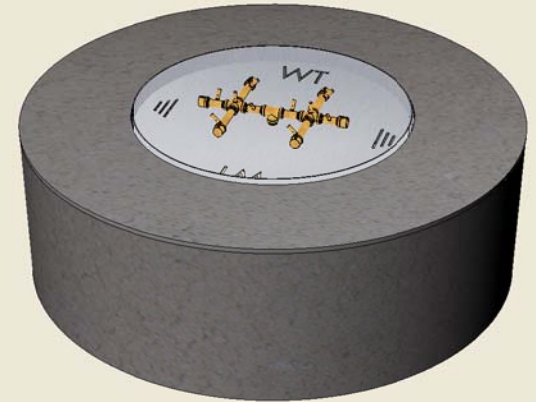
1. For outdoor/exterior use only.
2. Modification of product will void any certification and warranty.
3. Follow all installation instructions and local codes.
4. Recommended to be installed by a certified plumbing professional.
5. All dimensions are true and reflect Warming Trends' specifications as of the Revision Date.



TOP ELEVATION



FRONT ELEVATION



FC54 - 54" Round Fire Pit Kit shown with the MLS120 burner. Other burner options available.

LEGAL INFORMATION:

ALL RIGHTS RESERVED. INFORMATION IN THIS DOCUMENT IS CONFIDENTIAL AND IS EXCLUSIVE PROPERTY OF WARMING TRENDS. DELIVERY OF THIS DOCUMENT OR ANY COPY THEREOF OR DISCLOSURE OF SUCH INFORMATION TO UNAUTHORIZED PERSONS IS FORBIDDEN WITHOUT EXPRESSED WRITTEN PERMISSION OF WARMING TRENDS.

REVISION DATE 03/10/2015